



蓝圣智能装备
LASEN INTELLIGENT EQUIPMENT

BR.W5自力式系列

选型样本



浙江蓝圣智能装备有限公司
ZHEJIANG LASEN INTELLIGENT EQUIPMENT CO.,LTD

公司简介

Company Profile

ZHEJIANG LASEN

INTELLIGENT EQUIPMENT

浙江蓝圣智能装备有限公司，位于风景秀丽的杭州市郊富春江畔，坐落于杭州场口工业园。公司成立于2004年，注册资金1亿元，是集研发、生产、销售、维修控制阀为一体的国家高新技术企业；占地面积10000多平方米，厂房建筑面积约8000平方米，员工110人，其中高级工程师2人，技术工程师8人，中级技工及以上员工15人，大中专文化以上占60%。

公司专业生产各类气动、电动控制阀，并承接控制装置与现场大修、保运等业务，为浙江省高新技术企业，公司已通过ISO9001-2015质量管理体系认证、ISO14001、ISO18001和特种设备制造许可证(编号:TS271047A-2025)、SiL3认证，公司在产品开发过程中，不断引进国际先进技术，采用CAD、CAE、CAM、FEA和有限元分析设计、同时公司设有新产品研发中心、寿命试验中心、高温试验中心、低温试验中心，使所有出厂的产品品质得到保证。公司拥有一支从事多年调节阀研究开发、生产制造和管理、市场销售、成品检验的专业队伍。

经过多年的市场开发和推广,产品已经广泛应用于石化、化工、煤化工、冶金、电力、空分、LNG等各个行业,并一致获得用户的好评。并且积累了大量的工程应用经验,可为广大用户提供专业、可靠、快捷、灵活的全过程工程服务,使用户无后顾之忧。目前企业主要生产高磅级蝶阀、自力式调节阀、气(电)动调节阀、气(电)动切断阀及特种阀门(如锆才、双向钢、各类Ti、哈氏等),产品技术含量高,质量稳定可靠,产品畅销国内外。

公司一直在打造“因为有你,所以更好”的企业文化,同心汇聚,创造辉煌。一贯秉承“用心铸就品质,真心服务用户”的企业经营理念,来赢取用户的尊重和选择。

Zhejiang Lasen intelligent equipment Co., LTD., located in Hangzhou Changkou Industrial Park, is located in the beautiful suburb of Hangzhou Fuchun River bank. Founded in 2004 with a registered capital of 100 million yuan, the company is a national high-tech enterprise integrating research and development, production, sales and maintenance of control valves. Covers an area of more than 10,000 square meters, plant building area of about 8,000 square meters, 110 employees, including 2 senior engineers, 8 technical engineers, intermediate technicians and above 15 employees, college and technical secondary school education accounting for 60%.

The company specializes in the production of all kinds of pneumatic and electric control valves, and to undertake control devices and on-site overhaul, transportation and other businesses, as a high-tech enterprise in Zhejiang Province, The company has passed ISO9001-2015 quality management system certification, ISO14001, ISO18001 and special equipment manufacturing license (No. :TS271047A-2025), SiL3 certification, the company in the process of product development, constantly introduce international advanced technology, Using CAD, CAE, CAM, FEA and finite element analysis and design, the company has new product research and development center, life test center, high temperature test center, low temperature test center, so that all the products of the factory quality is guaranteed. The company has a professional team engaged in the research and development, production and management, marketing and sales of regulating valves for many years.

After years of market development and promotion, the products have been widely used in petrochemical, chemical, coal chemical, metallurgy, electric power, air separation, LNG and other industries, and has been consistently praised by users. And has accumulated a large number of engineering application experience, can provide professional, reliable, fast, flexible whole process engineering services for the majority of users, users have no worries. At present, the enterprise mainly produces high-pound butterfly valve, self-operated regulating valve, gas (electric) regulating valve, gas (electric) cutting valve and special valve (such as zirconium, two-way steel, all kinds of Ti, Hastelloy, etc.), the product technical content is high, the quality is stable and reliable, the products sell well at home and abroad.

The company has been creating a "because of you, so better" corporate culture, concentric convergence, create brilliant. Always adhering to the "hard cast quality, sincere service to users" business philosophy, to win the respect and choice of users.

目录 CONTENTS

BR.W5自力式系列 BR.W5 SELF-OPERATED SERIES

BR.W511型自力式压力调节阀BR.W511 Type self-operated regulator	01
概述Overview	01
技术参数和性能Technical parameters and performance.....	02
BR.W511型标准型内部结构图 BR.W511 Type standard internal structure drawing	05
BR.W511型自力式调节阀安装方位说明 BR.W511 Type self-operated regulator Installation Directions.....	07
BR.W511型自力式压力调节阀外形尺寸及重量 BR.W511 Type self-operated regulator Dimensions and weight	09
BR.W512型自力式微压调节阀BR.W512 Type Micro pressure self-operated regulator	11
概述Overview	11
技术参数和性能Technical parameters and performance	12
BR.W512型标准型内部结构图 BR.W512 Type standard internal structure drawing	14
BR.W512型自力式微压调节阀外形尺寸及重量 BR.W512 Type Micro pressure self-operated regulator Dimensions and weight	16
BR.W514型指挥器操作型自力式压力调节阀BR.W514 Type Pilot-operated regulator.....	17
概述Overview	17
技术参数和性能Technical parameters and performance	18
BR.W514型标准型内部结构图BR.W514 Type standard internal structure drawing	20
BR.W514型指挥器操作型自力式调节阀外形尺寸及重量 BR.W514 Type standard internal structure drawing Dimensions and weight.....	21
附录Appendix	22
附录A: 阀体的使用温度·压力范围Appendix A: Valve body temperature and pressure range	22
附录B: 阀内件、填料的使用温度·压力范围 Appendix B: Valve Trim、Packing temperature and pressure range.....	24
附录C: 常用材料牌号对照表Appendix C: Comparison table of commonly used material grades	25
附录D: 常用材料选用表Appendix D: Selection list of common materials.....	26
附录E: 型号编制说明 Appendix E: Model specification	28

BR.W511型自力式压力调节阀

BR.W511 Type self-operated regulator

概述 Overview

BR.W511型自力式压力调节阀采用外取压结构，能依靠介质自身的压力变化达到自动调节和稳定压力的目的，具有结构简单、动作可靠等特点。采用波纹管平衡型阀芯结构，具有不平衡力小、动作灵敏，广泛应用于各类低粘度液体、气体及饱和蒸汽场合，是一种应用于无气与无电场合的节能型产品；

该系列调节阀分为控制阀前(K型)和控制阀后(B型)两种。

BR.W511 Type self-operated regulator adopts external pressure taking structure, which can achieve automatic adjustment and stable pressure by relying on the pressure change of the medium itself. It has the characteristics of simple structure and reliable action. Using bellows balance spool structure, with small unbalance force, sensitive action, widely used in all kinds of low viscosity liquid, gas and saturated steam occasions, is a kind of energy saving products used in no gas and no electricity occasions;

The series control valve is divided into control valve front (K type) and control valve back (B type) two.



技术参数和性能 Technical parameters and performance

阀本体 VALVE BODY

型式 Type	流体压力平衡型阀芯 Pressure balance type
公称通径 Body size	15 ~ 400 mm(1/2" ~ 16")
阀芯型式 Plug style	单(双)密封面平衡式、波纹管平衡型、活塞平衡型 Single (double) sealing surface balance type, bellows balance type, piston balance type
流量特性 Characteristics	快开、近似线性 Quick、Approximate linear
公称压力 Body ratings	PN16,25,40,63,100; ANSI Class 150,300,600
连接方式 Connections	法兰型 (RF、MFM) Flanged(RF、MFM) 焊接型 (SW、BW) Weld ends (SW、BW)
法兰标准 Flange standard	HG/T20592 HG/T20615 ANSI B16.5
阀体及阀盖材质 Body & Bonnet Material	WCB CF8 CF8M CF3 CF3M……
阀内件材质 Valve Trim materials	304;316 ; 316L 304+R.TFE ; 316+R.TFE ; 316L+R.TFE 304+Stellite ; 316+Stellite ; 316L+Stellite
上阀盖型式 Bonnet Type	标准型 Standard type -29 ~ +200 °C 高温型 High temperature type +200 ~ +420 °C
结构型式 structural style	单座型 Single Seated 套筒型 Cage Control Valve 双座型 Double seat type 多级压降型 Multistage step-down type
填料 Packing	V型聚四氟乙烯 V-PTFE 柔性石墨 Flexible Graphite
备注 Note	当阀门为金属硬密封且阀座泄漏率要达到V级时,请在合同中注明。 When the valve is metal hard sealed and the seat leakage rate is class V, please indicate in the contract.

执行机构 ACTUATOR

	薄膜式 Diaphragm type	活塞式 Piston type	波纹管式 Bellows type
用途 Use	调节 Adjust		
材质 material	丁腈橡胶、氟橡胶、耐油橡胶 Nitrile rubber, fluorine rubber, oil resistant rubber	铝合金 Aluminum alloy	304、316
接口 Connection	M16 × 1.5		
作用方式 Action type	正作用 Direct action 反作用 Reverse action		
使用温度 Operating Temp.	-29 ~ +120 °C 加配冷凝器：Add condenser +100 ~ +350 °C		-196 ~ +420 °C
标配附件 Standard accessories	取压管（含取压接头）、冷凝器（蒸汽介质时用） Take pressure tube (including pressure taking joint), condenser (for steam medium)		
可选附件 Optional accessories	取压接管、截止阀、压力表、法兰、垫片及紧固件 Take pressure pipeline, globe valves, pressure gauges, flanges, gaskets and fasteners		

01

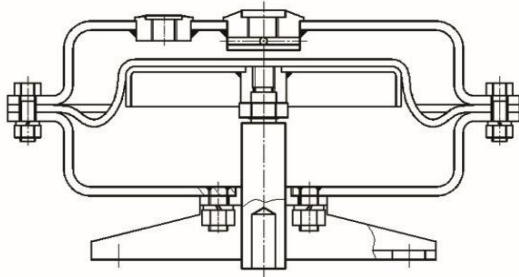


图 1-1 薄膜式 Diaphragm type

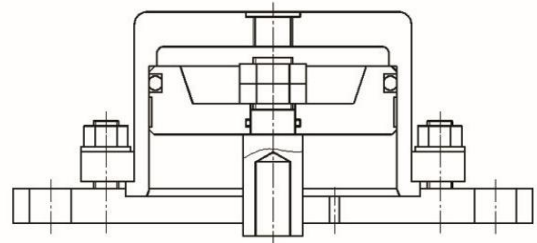


图 1-2 活塞式 Piston type

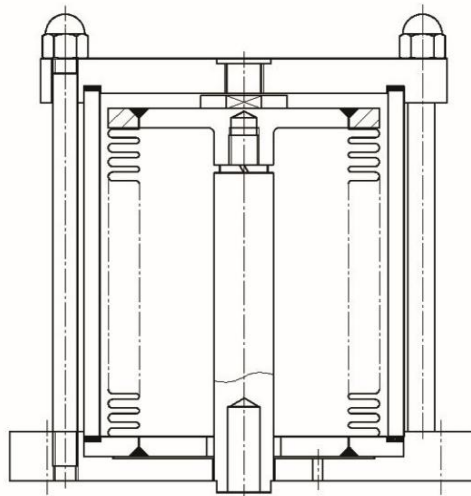


图 1-3 波纹管式 Bellows type

性能 PERFORMANCE

公称通径 Body Size		20	25	32	40	50	65	80	100	125	150	200	250	300					
额定 Cv Rated Cv	单座 Single	8	13	23	35	56	87	140	220	340	555	870	1270	2020					
	套筒 Cage	8	13	23	35	56	87	140	220	340	555	870	1270	2020					
	双座 Double seat	-	-	25	38	61	96	152	240	380	610	966	1390	2220					
行程 Stroke(mm)		8		10		12		20		22		25		30		35		40	
流量特性 Characteristics		快开、近似线性 Quick、Approximate linear																	
压力调节范围 Pressure regulating range (KPa)		15-50 40-80 60-100 80-140 120-180 160-220 200-260 240-300 280-350 330-400 380-450 430-500 480-560 540-620 600-700 680-800 780-900 880-1000 950-1500 1000-2500 2000-3000 2500-3500																	
压力负载特性 Pressure load characteristic		±10%																	
泄 漏 量 Seat leakage		硬密封 Hard seal: IV 级 软密封 Soft seal: VI 级																	

01

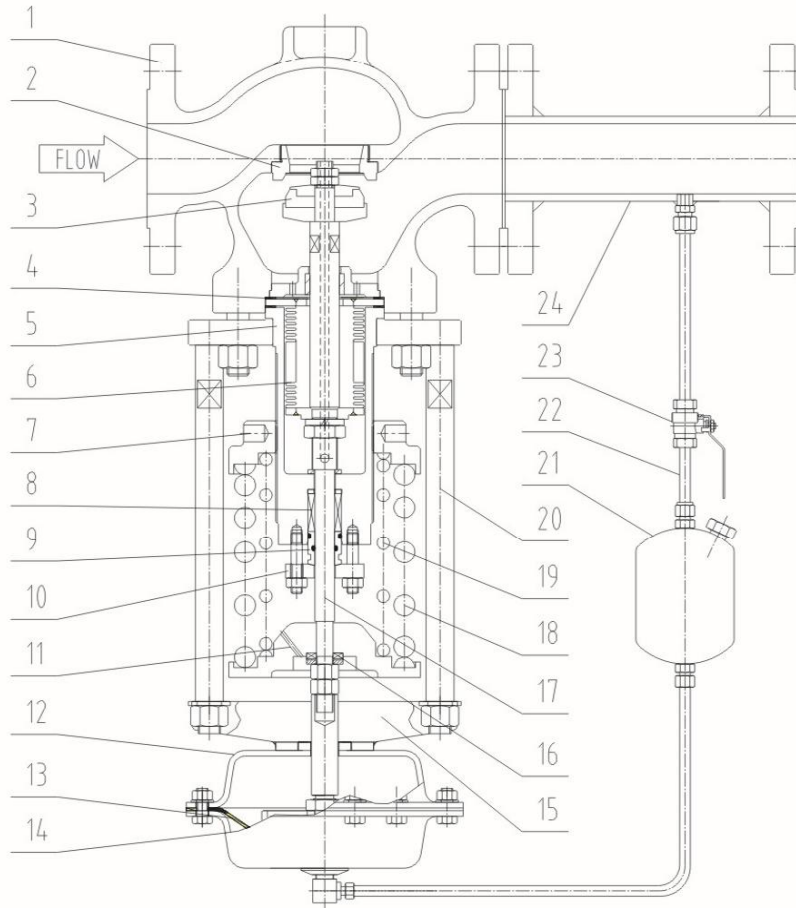
公称通径 Body Size	15、20、25									
	4	5	6	7	8	9	10	12	15	
额定 Rated Cv	0.14	0.23	0.37	0.58	0.92	1.4	2.1	2.9	4.6	
行程 Stroke(mm)	5									
流量特性 Characteristics	快开、近似线性 Quick、Approximate linear									
压力负载特性 Pressure load characteristic	± 10%									
泄 漏 量 Seat leakage	硬密封 Hard seal: IV 级 软密封 Soft seal: VI 级									

注：压力调节范围可根据客户要求定制。

Note: Pressure adjustment range can be customized according to customer requirements.

BR.W511型标准型内部结构图
BR.W511 Type standard internal structure drawing

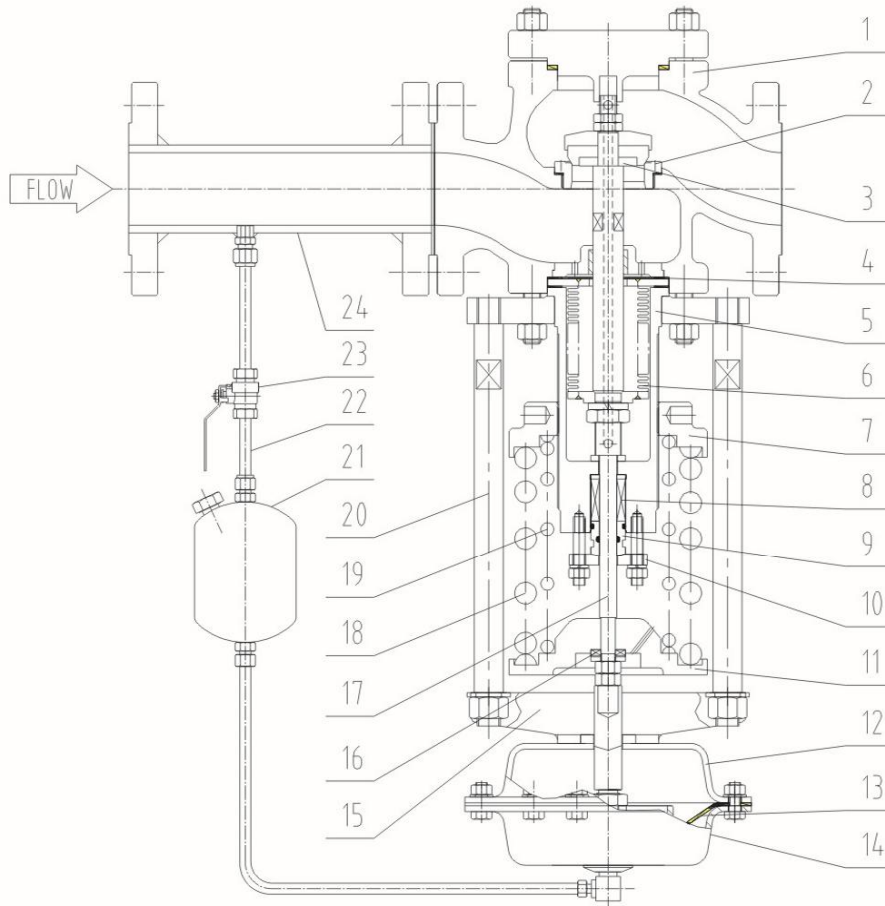
图2-1 BR.W511 控制阀后型 图2-1 BR.W511 control downstream pressure type



01

序号 NO	名称 Name	序号 NO	名称 Name
1	阀体 Body	13	膜片 Diaphragm
2	阀座 Seat	14	膜盖 Membrane cover
3	阀芯 Plug	15	托板 Plate
4	垫圈 Gasket	16	滚针轴承 Needle bearing
5	阀盖 Bonnet	17	阀杆 Stem
6	波纹管组件 Bellows assembly	18	外弹簧 Outer Spring
7	调节盘 Adjusting slider	19	内弹簧 Inside Spring
8	填料 Packing	20	立柱 Post
9	压套 Pressing sleeve	21	冷凝器 Condenser
10	压板 Pressure plate	22	取压管 Take pressure tube
11	弹簧座 Spring seat	23	截止阀 Globe valve
12	膜盖 Membrane cover	24	取压接管 Take pressure pipeline

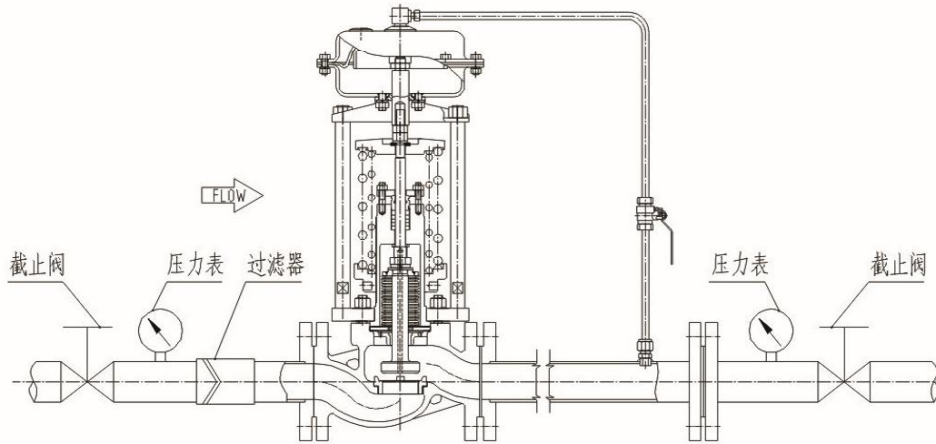
图2-2 BR.W511 控制阀前型 图2-2 BR.W511 Control valve front pressure type



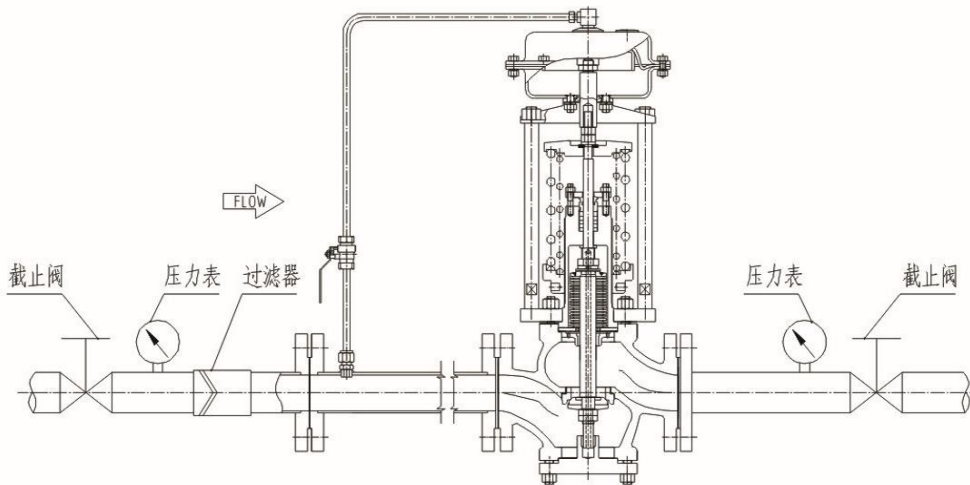
序号 NO	名称 Name	序号 NO	名称 Name
1	阀体 Body	13	膜片 Diaphragm
2	阀座 Seat	14	膜盖 Membrane cover
3	阀芯 Plug	15	托板 Plate
4	垫圈 Gasket	16	滚针轴承 Needle bearing
5	阀盖 Bonnet	17	阀杆 Stem
6	波纹管组件 Bellows assembly	18	外弹簧 Outer Spring
7	调节盘 Adjusting slider	19	内弹簧 Inside Spring
8	填料 Packing	20	立柱 Post
9	压套 Pressing sleeve	21	冷凝器 Condenser
10	压板 Pressure plate	22	取压管 Take pressure tube
11	弹簧座 Spring seat	23	截止阀 Globe valve
12	膜盖 Membrane cover	24	取压接管 Take pressure pipeline

BR.W511型自力式调节阀安装方位说明
BR.W511 Type self-operated regulator Installation Directions

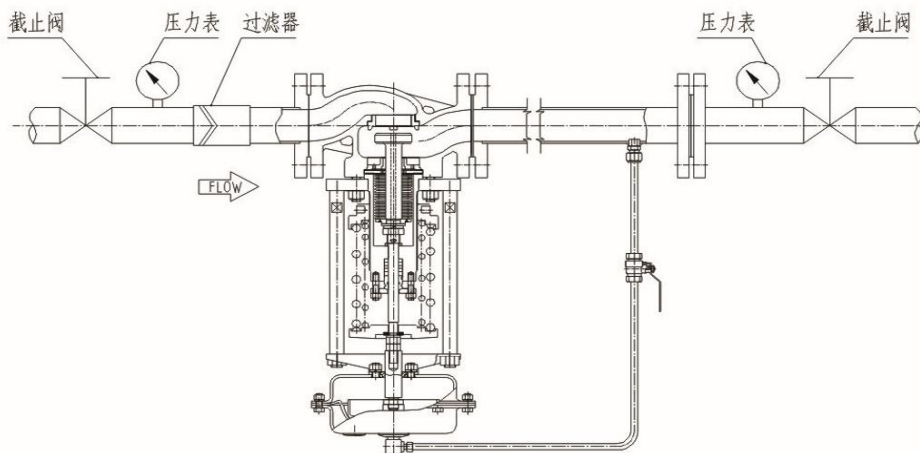
P1. 调节气体，阀后压力调节型，(过滤器可不安装)
 P1. Regulating gas, pressure after valve regulating type, (filter can not be installed)



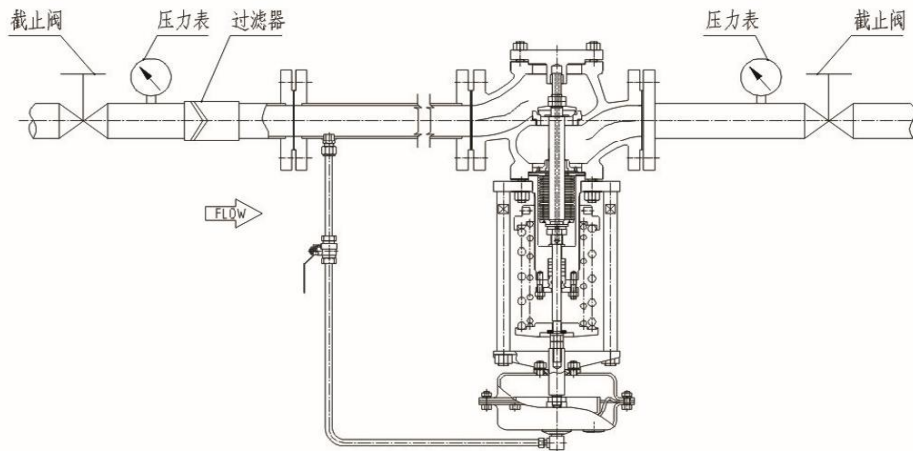
P2. 调节气体，阀前压力调节型，(过滤器可不安装)
 P2. Regulating gas, valve front pressure regulating type, (filter can not be installed)



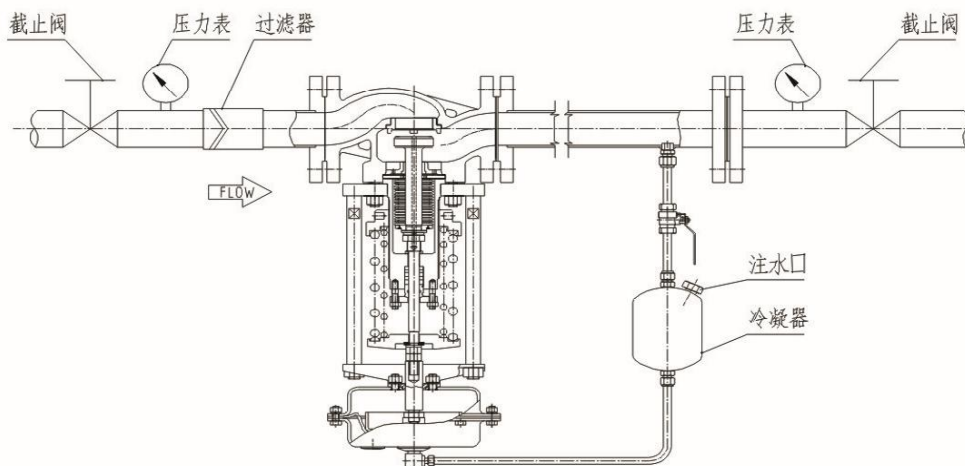
P3. 调节液体，阀后压力调节型，(对于非清洁液体，建议安装过滤器)
 P3. Regulating liquid, pressure regulating type after valve, (for non-clean liquid, it is recommended to install filters)



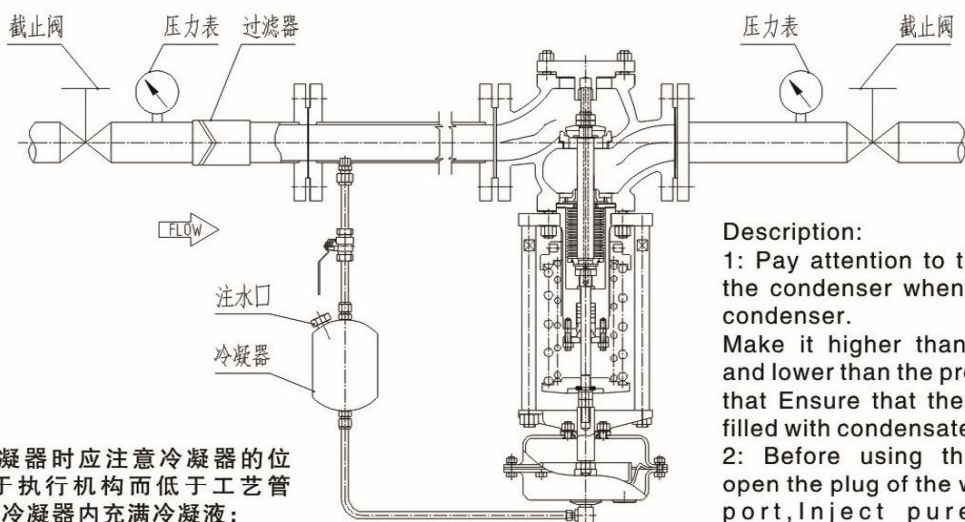
P4. 调节液体，阀前压力调节型，(对于非清洁液体，建议安装过滤器)
P4. Adjust the liquid, pressure before the valve regulating type, (for non-clean liquid, it is recommended to install filters)



P5. 调节蒸汽，阀后压力调节型，(应安装冷凝器，建议安装过滤器)
P5. Steam adjustment, pressure adjustment type after valve, (condenser should be installed, filter is recommended)



P6. 调节蒸汽，阀前压力调节型，(应安装冷凝器，建议安装过滤器)
P6. Steam regulation, valve front pressure regulation type, (condenser should be installed, it is recommended to install filters)



说明:

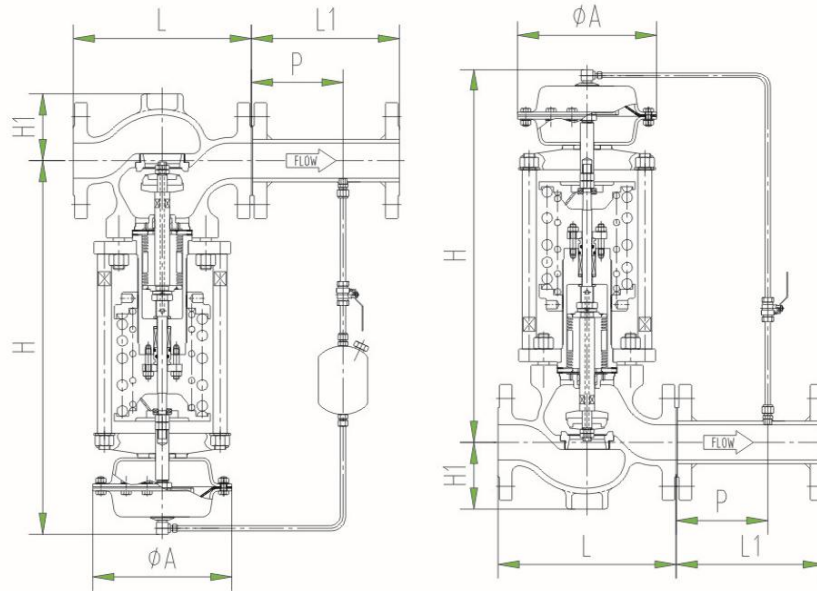
- 1: 在安装冷凝器时应注意冷凝器的位置，使其高于执行机构而低于工艺管道，从而保证冷凝器内充满冷凝液；
- 2: 冷凝器使用前，打开注水口螺塞，注入纯净水或冷凝水(必须注满)。

Description:

- 1: Pay attention to the position of the condenser when installing the condenser. Make it higher than the actuator and lower than the process pipe, so that Ensure that the condenser is filled with condensate;
- 2: Before using the condenser, open the plug of the water injection port, Inject pure water or condensed water (must be filled up).

BR.W511型自力式压力调节阀外形尺寸及重量
BR.W511 Type self-operated regulator Dimensions and weight

BR.W511 控制阀后型 BR.W511 control downstream pressure type



尺寸和重量 Dimensions and weigh

单位 unit: mm

公称通径		L			H	H1	A	L1	P	重量 (Kg)	
DN	IN	PN16 150LB	PN40 300LB	PN63,100 1600LB						PN16 150B	PN100 600LB
15	1/2	160	194	206	470	42	φ176	250	180	26	31
20	3/4	160	194	206	470	42		250	180	26	31
25	1	184	197	210	475	48		250	180	26	31
32	1-1/4	200	210	222	510	56	φ196	300	220	36	43
40	1-1/2	222	235	251	520	64		300	220	37	44
50	2	254	267	286	530	76	φ232	370	300	42	50
65	2-1/2	276	292	311	550	85		520	400	73	88
80	3	298	318	337	680	100	φ282	520	400	90	108
100	4	352	368	394	750	110		670	570	115	138
125	5	403	425	460	800	126	φ308	980	900	130	156
150	6	451	473	508	870	160		980	900	145	174
200	8	543	568	610	890	202		1200	1050	180	216
250	10	673	708	753	910	270	1500	1500	1250	200	240
300	12	737	775	819	950	290		1500	1350	250	300

注： 1、可按客户要求定制生产各种苛刻工况下阀门产品，如客户无特殊要求，本公司将按标准型配置供货；
 2、截止阀、取压接管为非标配阀门附件，可按客户要求选配；
 3、表中 L1、P 为本公司标准配置，一般 $P \geq 6 \times DN$ ，也可按客户要求配置。

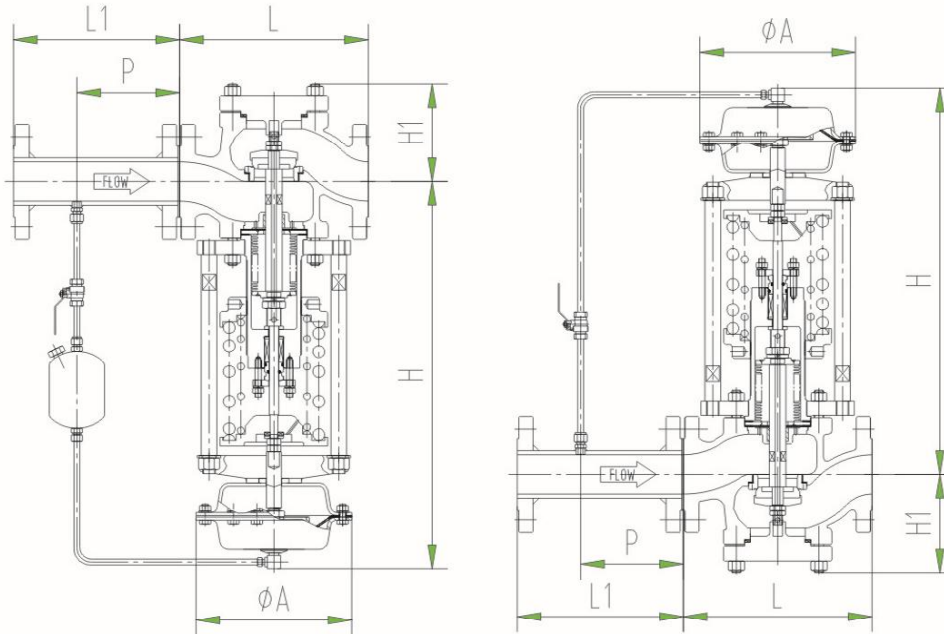
Note: 1. can be customized according to customer requirements of various harsh conditions of valve products, if the customer has no special requirements, the company will supply according to the standard configuration;
 2. globe valve, pressure take over for non-standard valve accessories, can be selected according to customer requirements;

3. L1 and P in the table are standard configurations of our company, generally $P \geq 6 \times DN$, or can be configured according to customer requirements.

BR.W5系列自力式
BR.W5 SERIES SELF-OPERATED



BR.W511 控制阀前型 BR.W511 Control valve front pressure type



尺寸和重量 Dimensions and weigh

单位 unit: mm

公称通径		L			H	H1	A	L1	P	重量 (Kg)	
DN	IN	PN16 150LB	PN40 300LB	PN63,100 1600LB						PN16 150B	PN100 600LB
15	1/2	160	194	206	470	83	φ176	250	180	26	31
20	3/4	160	194	206	470	83		250	180	26	31
25	1	184	197	210	475	83		250	180	26	31
32	1-1/4	200	210	222	510	93	φ196	300	220	36	43
40	1-1/2	222	235	251	520	95		300	220	37	44
50	2	254	267	286	530	110	φ232	370	300	42	50
65	2-1/2	276	292	311	550	128		520	400	73	88
80	3	298	318	337	680	140	φ282	520	400	90	108
100	4	352	368	394	750	160		670	570	115	138
125	5	403	425	460	800	215	φ308	980	900	130	156
150	6	451	473	508	870	230		980	900	145	174
200	8	543	568	610	890	268		1200	1050	180	216
250	10	673	708	753	910	385	φ308	1500	1250	200	240
300	12	737	775	819	950	420		1500	1350	250	300

- 注： 1、可按客户要求定制生产各种苛刻工况下阀门产品，如客户无特殊要求，本公司将按标准型配置供货；
2、截止阀、取压接管为非标配阀门附件，可按客户要求选配；
3、表中 L1、P 为本公司标准配置，一般 $P \geq 6 \times DN$ ，也可按客户要求配置。

Note: 1. can be customized according to customer requirements of various harsh conditions of valve products, if the customer has no special requirements, the company will supply according to the standard configuration;
2. globe valve, pressure take over for non-standard valve accessories, can be selected according to customer requirements;

3. L1 and P in the table are standard configurations of our company, generally $P \geq 6 \times DN$, or can be configured according to customer requirements.

BR.W512型自力式微压调节阀

BR.W512 Type Micro pressure self-operated regulator

概述 Overview

BR.W512型自力式微压调节阀有外部取压和内部取压两种结构，能依靠介质自身的压力变化达到自动调节和稳定压力的目的，具有结构简单、动作可靠等特点；适用于各种非腐蚀性气体的减压稳压或泄压稳压场合；该系列调节阀分为控制阀前(K型)和控制阀后(B型)两种。

BR.W512 Type self-operated micro-pressure regulating valve has external pressure and internal pressure two structures, can rely on the pressure of the medium itself to achieve the purpose of automatic regulation and stable pressure, with simple structure, reliable action and other characteristics; Suitable for all kinds of non-corrosive gas pressure regulator or pressure relief regulator occasions;

The series control valve is divided into control valve front (K type) and control valve back (B type) two.



技术参数和性能 Technical parameters and performance

阀本体 VALVE BODY

型式 Type	压力平衡型 Pressure balance type
公称通径 Body size	15~200 mm(1/2"~8")
阀芯型式 Plug style	柱塞型 Plunger type
流量特性 Characteristics	快开、近似线性 Quick、Approximate linear
公称压力 Body ratings	PN16,25,40; ANSI Class 150,300
连接方式 Connections	法兰型 (RF、MFM) Flanged(RF、MFM) 焊接型 (SW、BW) Weld ends (SW、BW)
法兰标准 Flange standard	HG/T20592 HG/T20615 ANSI B16.5
阀体及阀盖材质 Body & Bonnet Material	WCB CF8 CF8M CF3 CF3M……
阀内件材质 Valve Trim materials	304;316 ; 316L 304+R.TFE ; 316+R.TFE ; 316L+R.TFE 304+Stellite ; 316+Stellite ; 316L+Stellite
上阀盖型式 Bonnet Type	标准型 Standard type -29 ~ +200 °C
填料 Packing	V型聚四氟乙烯 V-PTFE 柔性石墨 Flexible Graphite
备注 Note	当阀门为金属硬密封且阀座泄漏率要达到V级时，请在合同中注明。 When the valve is metal hard sealed and the seat leakage rate is class V , please indicate in the contract.

执行机构 ACTUATOR

	薄膜式 Diaphragm type
用途 Use	调节 Adjust
材质 Diaphragm material	丁腈橡胶、氟橡胶、耐油橡胶 Nitrile rubber, fluorine rubber, oil resistant rubber
接口 Connection	M16 × 1.5
作用方式 Action type	正作用 Direct action 反作用 Reverse action
使用温度 Operating Temp.	-29 ~ +160 °C
标配附件 Standard accessories	取压管 (阀前型) Pressure taking tube (valve front type)
可选附件 Optional accessories	取压接管、截止阀、压力表、法兰、垫片及紧固件 Take pressure pipeline, globe valves, pressure gauges, flanges, gaskets and fasteners

02

性能 PERFORMANCE

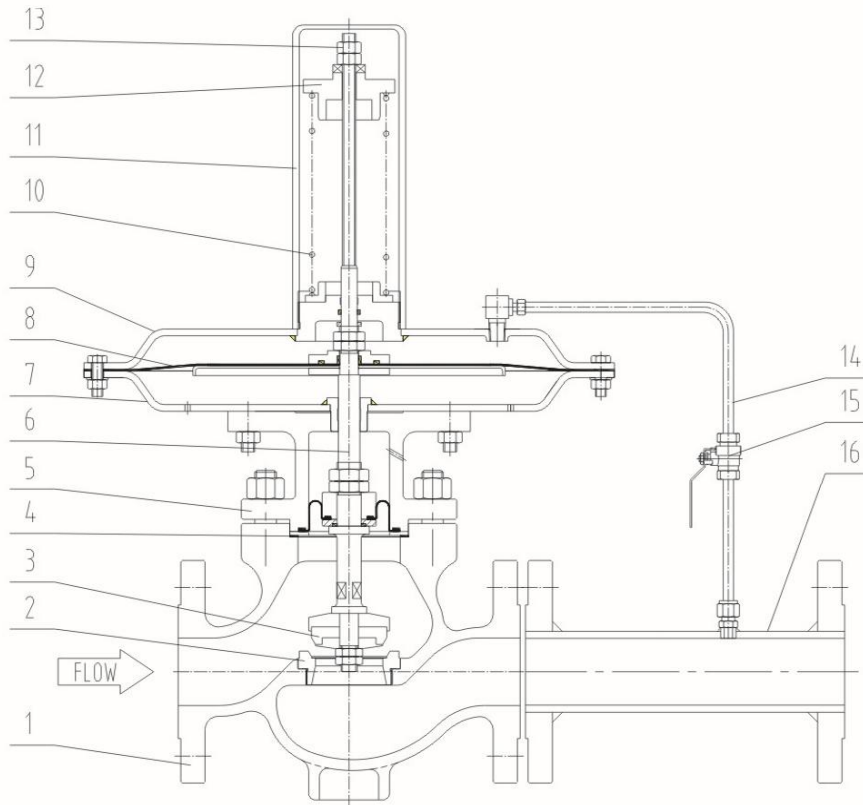
公称通径 Body Size	15	20	25	32	40	50	65	80	100	125	150	200
额定 Cv Rated Cv	4.6	8	13	23	35	56	87	140	220	340	555	870
行程 Stroke(mm)	5	8	10	12	20	22	25	30				
流量特性 Characteristics	快开 Quick											
压力调节范围 Pressure regulating range (KPa)	0.5-2 1-6 5-10 9-15 12-19 18-25 22-30 28-35 32-40 38-50 48-60 58-72 70-100											
压力负载特性 Pressure load characteristic	±10%											
泄漏量 Seat leakage	硬密封 Hard seal: IV 级 软密封 Soft seal: VI 级											

注：压力调节范围可根据客户要求定制。

Note: Pressure adjustment range can be customized according to customer requirements.

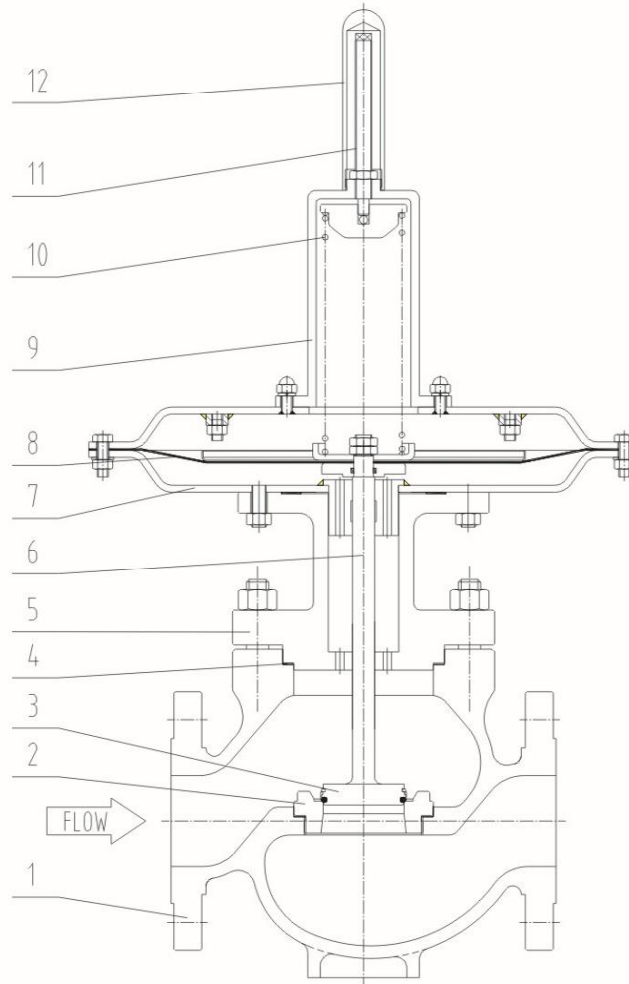
BR.W512型标准型内部结构图
BR.W512 Type standard internal structure drawing

图3-1 BR.W512 控制阀后型 图3-1 BR.W512 control downstream pressure type



序号 NO	名称 Name	序号 NO	名称 Name
1	阀体 Body	9	膜盖 Membrane cover
2	阀座 Seat	10	弹簧 Spring
3	阀芯 Plug	11	弹簧罩 Spring cover
4	垫圈 Gasket	12	弹簧座 Spring seat
5	阀盖 Bonnet	13	六角螺母 Hexnut
6	阀杆 Stem	14	取压管 Take pressure tube
7	膜盖 Membrane cover	15	截止阀 Globe valve
8	膜片 Diaphragm	16	取压接管 Take pressure pipeline

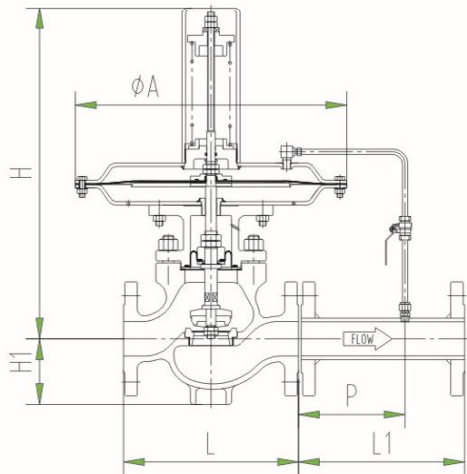
图3-2 BR.W512 控制阀前型 图3-2 BR.W512 Control valve front pressure type



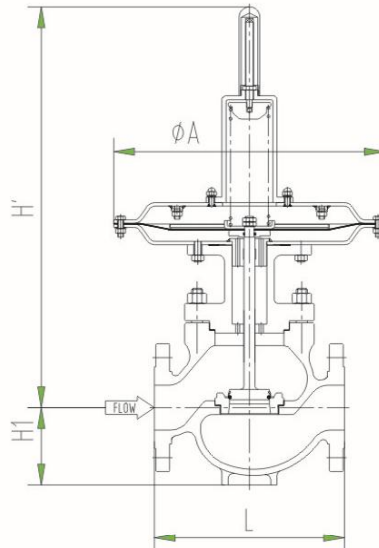
02

序号 NO	名称 Name	序号 NO	名称 Name
1	阀体 Body	7	膜盖 Membrane cover
2	阀座 Seat	8	膜片 Diaphragm
3	阀芯 Plug	9	弹簧罩 Spring cover
4	垫圈 Gasket	10	弹簧 Spring
5	阀盖 Bonnet	11	调压杆 Regulating lever
6	阀杆 Stem	12	盖帽 Blocks

BR.W512型自力式微压调节阀外形尺寸及重量
BR.W512 Type Micro pressure self-operated regulator Dimensions and weight



BR.W512 控制阀后型
BR.W512 control downstream pressure type



BR.W512 控制阀前型
BR.W512 Control valve front pressure type

尺寸和重量 Dimensions and weigh

单位 unit: mm

公称通径		L PN16 150LB	H	H'	H1	A	L1	P	重量 (Kg)
DN	IN								
15	1/2	160	450	550	42	φ308	250	180	12
20	3/4	160	450	550	42		250	180	12
25	1	184	450	550	48		250	180	13
32	1-1/4	200	470	570	56	φ394	300	220	15
40	1-1/2	222	485	585	64		300	220	17
50	2	254	490	590	76	φ498	370	300	29
65	2-1/2	276	530	630	85		520	400	32
80	3	298	550	650	100		520	400	38
100	4	352	560	660	110	φ498	670	570	45
125	5	403	650	750	126		980	900	65
150	6	451	660	760	160	φ498	980	900	75
200	8	543	900	1000	202		1200	1050	100

注： 1、可按客户要求定制生产各种苛刻工况下阀门产品，如客户无特殊要求，本公司将按标准型配置供货；
2、截止阀、取压接管为非标配阀门附件，可按客户要求选配；
3、表中 L1、P 为本公司标准配置，一般 $P \geq 6 \times DN$ ，也可按客户要求配置。

Note: 1. can be customized according to customer requirements of various harsh conditions of valve products, if the customer has no special requirements, the company will supply according to the standard configuration;
2. globe valve, pressure take over for non-standard valve accessories, can be selected according to customer requirements;

3. L1 and P in the table are standard configurations of our company, generally $P \geq 6 \times DN$, or can be configured according to customer requirements.

BR.W514型指挥器操作型自力式压力调节阀 BR.W514 Type Pilot-operated regulator

概述 Overview

BR.W514型指挥器操作型自力式压力单座调节阀无需外加能源，利用被控介质自身能量作为动力源，引入执行机构控制阀芯位置来改变流通面积，从而达到改变流量的目的，使阀前（或阀后）压力稳定。具有动作灵敏，密封性好，压力波动小等优点，广泛应用各种工业设备中用于气体、液体及蒸汽介质减压稳压或泄压稳压的自动控制。

该系列产品特别适用于阀前压力高(最高可达1.4MPa)，设定压力低(最低可达14mm水柱/0.14KPa)的工况，适用于非腐蚀性液体、气体、蒸汽(温度 $\leq 300^{\circ}\text{C}$)等介质的压力调节，具有减压比大的特点。

Br.w51.4 series of conductor operation type self-operated pressure single-seat regulating valve without additional energy, the use of the controlled medium own energy as a power source, the introduction of the actuator control spool position to change the flow area, so as to achieve the purpose of changing the flow, so that the valve before (or after) pressure stability. It has the advantages of sensitive action, good sealing, small pressure fluctuation and so on. It is widely used in all kinds of industrial equipment for the automatic control of gas, liquid and steam medium pressure reduction and pressure relief.

The series of products are especially suitable for high valve pressure (up to 1.4mpa), low set pressure (up to 14mm water column / 0.14kpa), suitable for non-corrosive liquid, gas, steam (temperature $\leq 300^{\circ}\text{C}$) and other media pressure regulation, with the characteristics of large decompression ratio.



技术参数和性能 Technical parameters and performance

阀本体 VALVE BODY

型式 Type	压力不平衡型 Pressure not balance type
公称通径 Body size	15~200 mm(1/2"~8")
阀芯型式 Plug style	柱塞型 Plunger type
流量特性 Characteristics	快开 Quick
公称压力 Body ratings	PN16,25,40; ANSI Class 150,300
连接方式 Connections	法兰型 (RF、MFM) Flanged(RF、MFM) 焊接型 (SW、BW) Weld ends (SW、BW)
法兰标准 Flange standard	HG/T20592 HG/T20615 ANSI B16.5
阀体及阀盖材质 Body & Bonnet Material	WCB CF8 CF8M CF3 CF3M……
阀内件材质 Valve Trim materials	304;316 ; 316L 304+R.TFE ; 316+R.TFE ; 316L+R.TFE 304+Stellite ; 316+Stellite ; 316L+Stellite
上阀盖型式 Bonnet Type	标准型 Standard type -29 ~ +200 °C
填料 Packing	V型聚四氟乙烯 V-PTFE 柔性石墨 Flexible Graphite
备注 Note	当阀门为金属硬密封且阀座泄漏率要达到V级时，请在合同中注明。 When the valve is metal hard sealed and the seat leakage rate is class V , please indicate in the contract.

执行机构 ACTUATOR

	薄膜式 Diaphragm type
用途 Use	调节 Adjust
膜片材质 Diaphragm material	丁腈橡胶、氟橡胶、耐油橡胶 Nitrile rubber, fluorine rubber, oil resistant rubber
接口 Connection	M16 × 1.5
作用方式 Action type	正作用 Direct action 反作用 Reverse action
使用温度 Operating Temp.	-29 ~ +160 °C
标配附件 Standard accessories	取压管 (含取压接头)、冷凝器 (蒸汽介质时用) Take pressure tube (including pressure taking joint), condenser (for steam medium)
可选附件 Optional accessories	取压接管、截止阀、压力表、法兰、垫片及紧固件 Take pressure pipeline, globe valves, pressure gauges, flanges, gaskets and fasteners

性能 PERFORMANCE

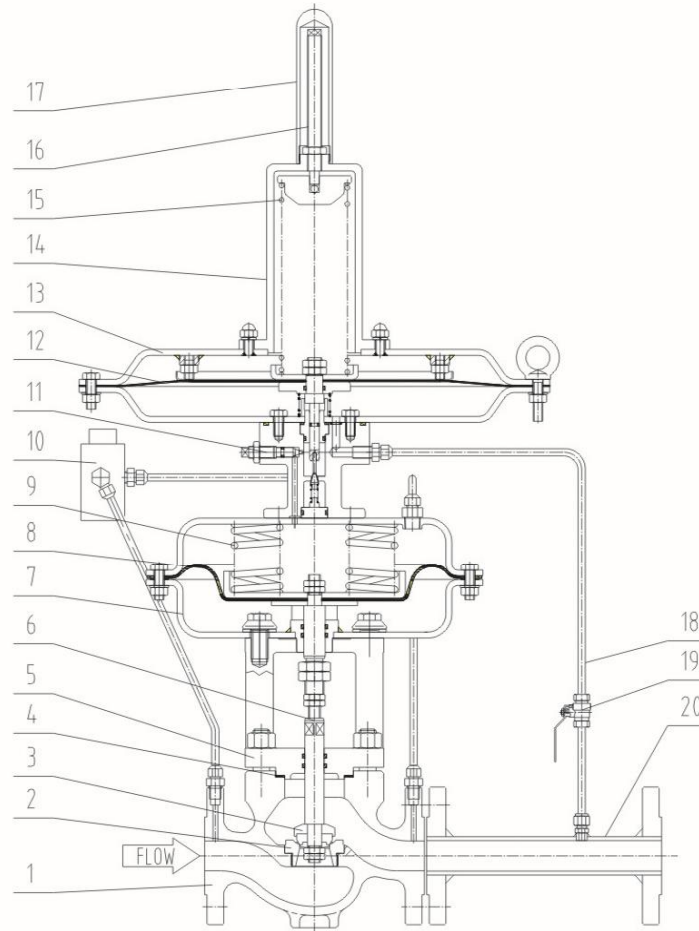
公称通径 Body Size	15	20	25	32	40	50	65	80	100	125	150	200
额定 Cv Rated Cv	4.6	8	13	23	35	56	87	140	220	340	555	870
行程 Stroke(mm)	5	8	10	12	20	22	25	30				
流量特性 Characteristics	快开 Quick											
压力调节范围 Pressure regulating range (KPa)	0.14-2.0 1-6 5-10 9-15 12-19 18-25 22-30 28-35 32-40 38-50 48-60 58-72 70-100											
压力负载特性 Pressure load characteristic	±5%											
泄漏量 Seat leakage	硬密封 Hard seal: IV 级 软密封 Soft seal: VI 级											

注：压力调节范围可根据客户要求定制。

Note: Pressure adjustment range can be customized according to customer requirements.

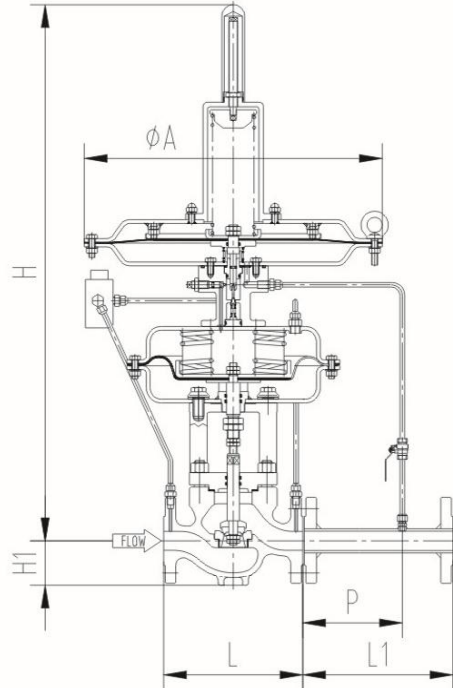
BR.W514型标准型内部结构图
BR.W514 Type standard internal structure drawing

图4-1 BR.W514 控制阀后型 图4-1 BR.W514 control downstream pressure type



序号 NO	名称 Name	序号 NO	名称 Name
1	阀体 Body	11	指挥器 Director
2	阀座 Seat	12	膜片 Diaphragm
3	阀芯 Plug	13	膜盖 Membrane cover
4	垫圈 Gasket	14	弹簧罩 Spring cover
5	阀盖 Bonnet	15	弹簧 Spring
6	阀杆 Stem	16	调压杆 Regulating lever
7	膜盖 Membrane cover	17	盖帽 Blocks
8	膜片 Diaphragm	18	取压接管 Take pressure pipeline
9	弹簧 Spring	19	截止阀 Globe valve
10	过滤减压器 Regulator	20	取压管 Take pressure tube

BR.W514型指挥器操作型自力式调节阀外形尺寸及重量
BR.W514 Type standard internal structure drawing Dimensions and weight



03

尺寸和重量 Dimensions and weigh

单位 unit: mm

公称通径		L PN16 150LB	H	H1	A	L1	P	重量 (Kg)	
DN	IN								
15	1/2	160	548	42	φ282	250	180	13	
20	3/4	160	548	42		250	180	13	
25	1	184	548	48		250	180	14	
32	1-1/4	200	565	56		300	220	15	
40	1-1/2	222	565	64		300	220	17	
50	2	254	565	76		370	300	18	
65	2-1/2	276	595	85		φ394	520	400	30
80	3	298	595	100			520	400	45
100	4	352	595	110			670	570	90
125	5	403	650	126			980	900	110
150	6	451	660	160	980		900	130	
200	8	543	680	202	1200		1050	160	

注： 1、可按客户要求定制生产各种苛刻工况下阀门产品，如客户无特殊要求，本公司将按标准型配置供货；
 2、截止阀、取压接管为非标配阀门附件，可按客户要求选配；
 3、表中 L1、P 为本公司标准配置，一般 $P \geq 6 \times DN$ ，也可按客户要求配置。

Note: 1. can be customized according to customer requirements of various harsh conditions of valve products, if the customer has no special requirements, the company will supply according to the standard configuration;
 2. globe valve, pressure take over for non-standard valve accessories, can be selected according to customer requirements;
 3. L1 and P in the table are standard configurations of our company, generally $P \geq 6 \times DN$, or can be configured according to customer requirements.

附录 Appendix

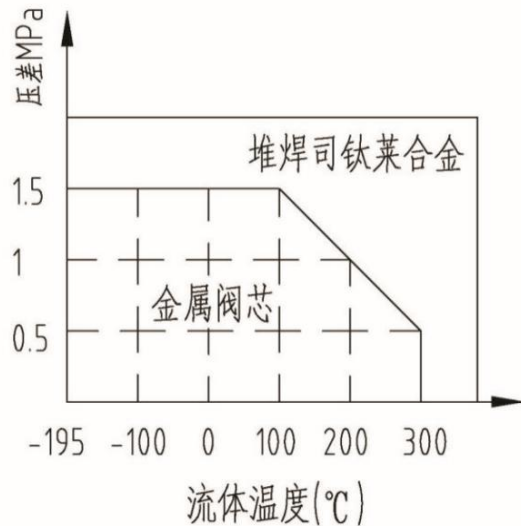
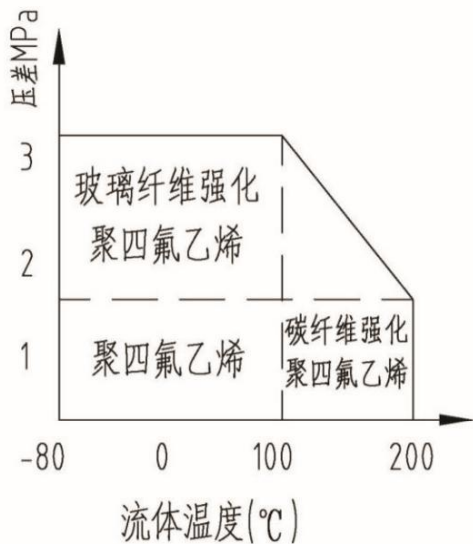
附录A: 阀体的使用温度·压力范围 Appendix A: Valve body temperature and pressure range

温度 (℃)	Class 150					Class 300					Class 600				
	SCPL1 LCB	SCPH2 WCB	SCPH21 WC6	SCS13A CF8	SCS14A CF8M	SCPL1 LCB	SCPH2 WCB	SCPH21 WC6	SCS13A CF8	SCS14A CF8M	SCPL1 LCB	SCPH2 WCB	SCPH21 WC6	SCS13A CF8	SCS14A CF8M
-196~38	-	-	-	1.90	1.90	-	-	-	4.95	4.95	-	-	-	9.91	9.92
-45~38	1.84	-	-	1.90	1.90	4.78	-	-	4.95	4.95	9.57	-	-	9.91	9.92
-5~38	1.84	1.96	1.99	1.90	1.90	4.78	5.10	5.16	4.95	4.95	9.57	10.20	10.32	9.91	9.92
50	1.81	1.92	1.92	1.84	1.84	4.72	5.00	5.10	4.77	4.80	9.46	10.01	10.22	9.56	9.62
100	1.72	1.76	1.76	1.56	1.61	4.51	4.63	4.88	4.08	4.21	9.02	9.27	9.74	8.17	8.43
150	1.57	1.57	1.57	1.39	1.47	4.40	4.51	4.63	3.62	3.85	8.78	9.04	9.26	7.26	7.69
200	1.40	1.40	1.40	1.25	1.37	4.26	4.38	4.54	3.27	3.56	8.54	8.75	9.09	6.54	7.12
250	1.20	1.20	1.20	1.16	1.20	4.05	4.16	4.44	3.04	3.34	8.11	8.33	8.88	6.10	6.67
300	1.01	1.01	1.01	1.01	1.01	3.76	3.87	4.23	2.91	3.15	7.54	7.74	8.48	5.80	6.32
350	0.84	0.84	0.84	0.84	0.84	3.59	3.69	4.01	2.81	3.03	7.18	7.38	8.04	5.60	6.07
375		0.73	0.73	0.73	0.73		3.64	3.88	2.77	2.96		7.28	7.75	5.54	5.93
400		0.64	0.64	0.64	0.64		3.44	3.65	2.74	2.91		6.89	7.31	5.48	5.81
425		0.55	0.55	0.55	0.55		2.88	3.50	2.71	2.87		5.74	7.01	5.42	5.72
440		0.47	0.47	0.47	0.47		1.99	3.38	2.68	2.81		4.00	6.75	5.37	5.61
475		0.37	0.37	0.37	0.37		1.35	3.16	2.65	2.73		2.70	6.32	5.30	5.46
500		0.28	0.28	0.28	0.28		0.88	2.77	2.60	2.67		1.75	5.55	5.20	5.37
525		0.18	0.18	0.18	0.18		0.51	2.02	2.19	2.57		1.03	4.04	4.77	5.15
538		0.13	0.15	0.15	0.15		0.34	1.63	2.18	2.53		0.72	3.26	4.55	5.06

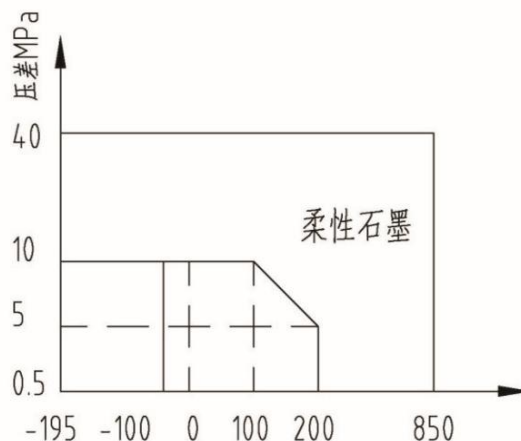
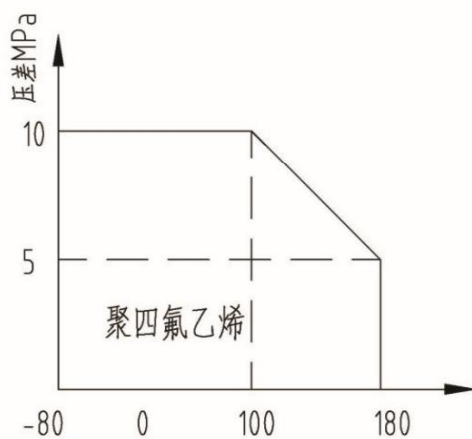
温度 (℃)	Class 900						Class 1500						Class 2500					
	SCPL1	SCPH2	SCPH21	SCPH32	SCS13A	SCS14A	SCPL1	SCPH2	SCPH21	SCPH32	SCS13A	SCS14A	SCPL1	SCPH2	SCPH21	SCPH32	SCS13A	SCS14A
	LCB	A105 WCB	F11 WC6	F22 WC9	F304 CF8	F316 CF8M	LCB	A105 WCB	F11 WC6	F22 WC9	F304 CF8	F316 CF8M	LCB	A105 WCB	F11 WC6	F22 WC9	F304 CF8	F316 CF8M
-196~38	-	-	-	-	14.88	14.88	-	-	-	-	24.79	24.79	-	-	-	-	41.33	41.34
-45~38	14.35	-	-	-	14.88	14.88	23.92	-	-	-	24.79	24.79	39.87	-	-	-	41.33	41.34
-5~38	14.35	15.31	15.50	15.50	14.88	14.88	23.92	25.51	25.84	25.84	24.79	24.79	39.87	42.52	43.07	43.07	41.33	41.34
50	14.18	15.01	15.33	15.35	14.34	14.43	23.64	25.02	25.55	25.58	23.90	24.04	39.40	41.70	42.59	42.64	39.84	40.07
100	13.52	13.90	14.62	14.70	12.25	12.65	22.53	23.16	24.36	24.50	20.42	21.09	37.56	38.62	40.61	40.85	34.01	35.14
150	13.18	13.56	13.90	13.98	10.89	11.54	21.96	22.60	23.18	23.30	18.16	19.24	36.60	37.66	38.61	38.84	30.26	32.07
200	12.79	13.14	13.63	13.45	9.82	10.69	21.32	21.89	22.73	22.40	16.37	17.83	35.53	36.50	37.88	37.35	27.28	29.71
250	12.17	12.51	13.33	13.26	9.15	10.02	20.28	20.84	22.22	22.10	15.26	16.68	33.80	34.75	37.03	36.83	25.43	27.80
300	11.30	11.61	12.72	12.72	8.71	9.49	18.84	19.36	21.20	21.20	14.52	15.80	31.40	32.26	35.33	35.33	24.20	26.34
350	10.78	11.08	12.06	12.06	8.42	9.12	17.96	18.46	20.11	20.11	14.02	15.20	29.95	30.78	33.51	33.51	23.36	25.36
375		10.94	11.63	11.63	8.32	8.91		18.22	19.38	19.38	13.86	14.84		30.37	32.32	32.32	23.12	24.74
400		10.34	10.98	10.98	8.23	8.72		17.24	18.28	18.28	13.72	14.55		28.73	30.47	30.47	22.87	24.25
425		8.62	10.53	10.53	8.14	8.59		14.37	17.54	17.54	13.57	14.32		23.94	29.23	29.23	22.63	23.87
440		6.01	10.13	10.13	8.06	8.42		10.02	16.89	16.89	13.42	14.03		16.68	28.16	28.16	22.37	23.38
475		4.06	9.50	9.50	7.97	8.20		6.76	15.82	15.82	13.27	13.67		11.28	26.36	26.36	22.13	22.79
500			8.33	8.33	7.81	8.05			13.89	13.89	13.02	13.40			23.15	23.15	21.71	22.34
525			6.08	6.58	7.15	7.73			10.12	10.96	11.94	12.89			16.88	18.26	19.88	21.47
550			3.83	4.91	6.54	7.49			6.38	8.17	10.91	12.48			10.63	13.63	18.17	20.79
575			2.55	3.51	6.02	7.22			4.24	5.85	10.04	12.04			7.08	9.74	16.72	20.07
600			1.75	2.29	5.01	6.43			2.94	3.82	8.35	10.71			4.90	6.36	13.92	17.85
625					3.92	5.48					6.54	9.12					10.89	15.20
650					3.16	4.23					5.25	7.06					8.75	11.76
675					2.33	3.78					3.88	6.31					6.45	10.53

附录B：阀内件、填料的使用温度·压力范围
Appendix B: Valve Trim、Packing temperature and pressure range

阀内件使用温度·压力范围 Valve Trim temperature and pressure range



填料的使用温度·压力范围 Packing temperature and pressure range



附录C：常用材料牌号对照表

Appendix C: Comparison table of commonly used material grades

材料	中国 GB	美国 ANSI ASTM	日本 JIS	德国 DIN
不锈钢 (棒材)	06CR19NI10	304,S30400	SUS 304	1.4301
	06CR17NI12MO2	316,S31600	SUS 316	1.4408
	022CR19NI10	304L,S30403	SUS 304L	1.4306
	022CR17NI12MO2	316L,S31603	SUS 316L	1.4404
	12CR13	410,S41000	SUS 410	1.4006
	05CR17NI4CUNB	630,S17400	SUS 630	
不锈钢 (铸件)	CF8	CF8	SCS13 、 SCS13A	
	CF8M	CF8M	SCS14 、 SCS14A	
	CF3	CF3		
	CF3M	CF3M		
碳钢 (铸件)	LCB	LCB		
	WCB	WCB	SCPH2	
	WCC	WCC	SCPH21	
	WC6	WC6		

附录D：常用材料选用表
Appendix D: Selection list of common materials

材料名称 流体名称	碳钢	铸钢	302 304 不锈钢	316 不锈钢	铜	蒙乃尔 合金 (Monel)	哈氏 合金 (HB)	哈氏 合金 (HC)	Duri- met- 20	钛材	钴基 合金 -6	416 不锈钢	440C 不锈钢	17-4 PH 不锈钢
乙醛	A	A	A	A	A	A	I、L	A	A	I、L	I、L	A	A	A
醋酸(气)	C	C	B	B	B	B	A	A	A	A	A	C	C	B
醋酸(气化)	C	C	A	A	A	A	A	A	A	A	A	C	C	B
醋酸(蒸汽)	C	C	A	A	B	B	I、L	A	B	A	A	C	C	B
丙酮	A	A	A	A	A	A	A	A	A	A	A	A	A	A
乙炔	A	A	A	A	I、L	A	A	A	A	I、L	A	A	A	A
醇	A	A	A	A	A	A	A	A	A	A	A	A	A	A
硫酸铅	C	C	A	A	B	B	A	A	A	A	I、L	C	C	I、L
氨	A	A	A	A	C	A	A	A	A	A	A	A	A	I、L
氯化铵	C	C	B	B	B	B	A	A	A	A	B	C	C	I、L
硝(酸)铵	A	C	A	A	C	C	A	A	A	A	A	C	B	I、L
磷酸铵(单基)	C	C	A	A	B	B	A	A	B	A	A	B	B	I、L
硫酸铵	C	C	B	A	B	A	A	A	A	A	A	C	C	I、L
亚硫酸铵	C	C	A	A	C	C	I、LA	A	A	A	A	B	B	I、L
苯胺	C	C	A	A	C	B	A	A	A	A	A	C	C	I、L
苯	A	A	A	A	A	A	A	A	A	A	A	A	A	A
苯甲酸	C	C	A	A	A	A	I、L	A	A	A	I、L	A	A	A
硼酸	C	C	A	A	A	A	A	A	A	A	A	B	B	I、L
丁烷	A	A	A	A	A	A	A	A	A	I、L	A	A	A	A
氯化钙	B	B	C	B	C	A	A	A	A	A	I、L	C	C	I、L
石炭酸	B	B	A	A	A	A	A	A	A	A	A	I、L	I、L	I、L
二氧化碳(干)	A	A	A	A	A	A	A	A	A	A	A	A	A	A
二氧化碳(湿)	C	C	A	A	B	A	A	A	A	A	A	A	A	A
二氧化碳	A	A	A	A	C	B	A	A	A	A	A	B	B	I、L
四氯化碳	B	B	B	B	A	A	B	A	A	A	I、L	C	A	I、L
碳酸	C	C	B	B	B	A	A	A	A	I、L	I、L	A	A	A
氯气(干)	A	A	B	B	B	A	A	A	A	C	B	C	C	C
氯气(湿)	C	C	C	C	C	C	C	B	C	A	B	C	C	C
氯气(液态)	C	C	C	C	B	C	C	A	B	C	B	C	C	C
铬酸	C	C	C	B	C	A	C	A	C	A	B	C	C	C
焦炉气	A	A	A	A	B	B	A	A	A	A	A	A	A	A
硫酸铜	C	C	B	B	B	C	I、L	A	A	A	I、L	A	A	A
乙烷	A	A	A	A	A	A	A	A	A	A	A	A	A	A
醚	B	B	A	A	A	A	A	A	A	A	A	A	A	A
氯乙烷	C	C	A	A	A	A	A	A	A	A	A	B	B	I、L
乙烯	A	A	A	A	A	A	A	A	A	A	A	A	A	A
乙二醇	A	A	A	A	A	A	I、L	I、L	A	I、L	A	A	A	A
氯化铁	C	C	C	C	C	C	C	B	C	A	B	C	C	I、L
甲醛	B	B	A	A	A	A	A	A	A	A	A	A	A	A
甲酸	I、L	C	B	B	A	A	A	A	A	C	B	C	C	B
氟里昂(湿)	B	B	B	A	A	A	A	A	A	A	A	I、L	I、L	I、L
氟里昂(干)	B	B	A	A	A	A	A	A	A	A	A	I、L	I、L	I、L
糖醛	A	A	A	A	A	A	A	A	A	A	A	B	B	I、L
汽油(精制)	A	A	A	A	A	A	A	A	A	A	A	A	A	A
盐酸(气化)	C	C	C	C	C	C	A	B	C	C	B	C	C	C
盐酸(游离)	C	C	C	C	C	C	A	B	C	C	B	C	C	C

材料名称 流体名称	碳钢	铸钢	302 304 不锈钢	316 不锈钢	铜	蒙乃尔 合金 (Monel)	哈氏 合金 (HB)	哈氏 合金 (HC)	Duri- met- 20	钛材	钴基 合金 -6	416 不锈钢	440C 不锈钢	17-4 PH 不锈钢
氢氟酸 (气化)	B	C	C	B	C	C	A	A	B	C	B	C	C	C
游氢氟酸 (离)	A	C	C	B	C	A	A	A	B	C	I、L	C	C	I、L
氢气	A	A	A	A	A	A	A	A	A	A	A	A	A	A
过氧化氢	I、L	A	A	A	C	A	B	B	A	A	I、L	B	B	I、L
硫化氢 (液体)	C	C	A	A	C	C	A	A	B	A	A	C	C	I、L
氢氧化镁	A	A	A	A	B	A	A	A	A	A	A	A	A	I、L
甲基-乙基甲酮	A	A	A	A	A	A	A	A	A	I、L	A	A	A	A
丁酮	A	A	A	A	A	A	A	A	A	I、L	A	A	A	A
天然气	A	A	A	A	A	A	A	A	A	A	A	A	A	A
硝酸	C	C	A	B	C	C	C	B	A	A	C	C	C	B
草酸	C	C	B	B	B	B	A	A	A	B	B	B	B	I、L
氧气	A	A	A	A	A	A	A	A	A	A	A	A	A	A
甲醇	A	A	A	A	A	A	A	A	A	A	A	A	B	A
石油润滑油 (精制)	A	A	A	A	A	A	A	A	A	A	A	A	A	A
磷酸 (气化)	C	C	A	A	C	C	A	A	A	B	A	C	C	I、L
磷酸 (游离)	C	C	A	A	C	B	A	A	A	B	A	C	C	I、L
磷酸蒸汽	C	C	B	B	C	C	A	I、L	A	B	C	C	I、L	
苦味酸	C	C	A	A	C	C	A	A	A	I、L	I、L	B	B	I、L
亚氯酸钾	B	B	A	A	B	B	A	A	A	A	I、L	C	C	I、L
氢氧化钾	B	B	A	A	B	A	A	A	A	A	I、L	B	B	I、L
丙烷	A	A	A	A	A	A	A	A	A	A	A	A	A	A
松香、松脂	B	B	A	A	A	A	A	A	A	I、L	A	A	A	A
醋酸钠	A	A	B	A	A	A	A	A	A	A	A	A	A	A
碳酸钠	A	A	A	A	A	A	A	A	A	A	A	B	B	A
氯化钠	C	C	B	B	A	A	A	A	A	A	A	B	B	B
铬酸钠	A	A	A	A	A	A	A	A	A	A	A	A	A	A
氢氧化钠	A	A	A	A	C	A	A	A	A	A	A	B	B	A
次氯酸钠	C	C	C	C	B-C	B-C	C	A	B	A	I、L	C	C	I、L
硫代硫酸钠	C	C	A	A	C	C	A	A	A	A	I、L	B	B	I、L
二氯化锡	B	B	C	A	C	B	A	A	A	A	I、L	C	C	I、L
硬脂酸	A	C	A	A	B	B	A	A	A	A	B	B	B	I、L
硫酸盐溶液	A	A	A	A	C	A	A	A	A	A	A	I、L	I、L	I、L
二硫化氧 (干)	A	A	A	A	A	A	B	A	A	A	A	B	B	I、L
二氧化硫 (干)	A	A	A	A	A	A	B	A	A	A	A	B	B	I、L
硫酸 (气化)	C	C	C	C	C	C	A	A	A	B	B	C	C	C
硫酸 (游离)	C	C	C	C	B	B	A	A	A	B	B	C	C	C
亚硫酸	C	C	B	B	B	C	A	A	A	A	B	C	C	I、L
焦油	A	A	A	A	A	A	A	A	A	A	A	A	A	A
三氟乙烯	B	B	B	A	A	A	A	A	A	A	A	B	B	I、L
松节油	B	B	A	A	A	B	A	A	A	A	A	A	A	A
醋	C	C	A	A	B	A	A	A	A	I、L	A	C	C	A
水 (锅炉供水)	B	C	A	A	C	A	A	A	A	A	A	B	A	A
水 (蒸馏水)	A	A	A	A	A	A	A	A	A	A	A	B	B	I、L
海水	B	B	B	B	A	A	A	A	A	A	A	C	C	A
氯化锌	C	C	C	C	C	C	A	A	A	A	B	C	C	I、L
硫酸锌	C	C	A	A	B	A	A	A	A	A	A	B	B	I、L

注：A— 推荐使用；B— 小心使用；C— 不能使用；I、L— 缺乏资料。

Note: A— Recommended; B— Use with care; C— unusable; I, L— Lack of information.

附录E:型号编制说明 Appendix E: Model specification

型号编制 Model establishment

BR.W51

1	2	3	-4	5	6	7	8	9	10	11
---	---	---	----	---	---	---	---	---	----	----

型号简易编制 Simple model formulation

BR.W51

1	3	-4	5
---	---	----	---

1 代号	阀门类型		5 代号		作用方式		W	铬钼钢 (WC6 WC9 C5 等)	
							F	衬氟 / 衬胶 (F46 EPDM 等)	
1	常规		K		阀前压力控制		X	其他特殊要求	
2	微压		B		阀后压力控制		10	内件材质	
3	差压阀		X		其他特殊要求		代号		
4	指挥器		6		公称通径		1		
5	氮封		代号	mm	代号	Inch	2	不锈钢 / 堆焊 STL	
6	呼吸阀		15	15	1/2	1/2	3	不锈钢 / 热处理	
X	其他特殊要求		20	20	3/4	3/4	4	不锈钢 / PTFE	
2	取压型式		25	25	1	1	5	衬氟 / 衬胶	
代号			32	32	1-1/4	1-1/4	X	其他特殊要求	
1	管道取压		40	40	1-1/2	1-1/2	11	特殊要求	
2	本体取压		50	50	2	2	代号		
3	内取压		65	65	2-1/2	2-1/2	C		
4	供氮		80	80	3	3	N	NACE	
5	泄氮		100	100	4	4	O	禁油禁水	
X	其他特殊要求		125	125	5	5	T	禁铜	
3	结构型式		150	150	6	6	X	其他特殊要求	
代号			200	200	8	8			
P	单座型		250	250	10	10			
G	笼式单座型		300	300	12	12			
M	套筒型		7	连接型式					
N	双座型		代号						
D	多级压降型		F	法兰式					
S	角型		W	焊接式					
F	防爆阻火型		M	螺纹式					
Q	全天候阻火型		X	其他特殊要求					
X	其他特殊要求		8	执行机构					
4	公称压力		代号						
代号			Mpa	代号	CLASS	M	薄膜式		
10	1.0	A1	150	Z	活塞式				
16	1.6	A3	300	B	波纹管				
25	2.5	A4	400	X	其他特殊要求				
40	4.0	A6	600	9	阀体材质				
63	6.3	A8	800	代号					
100	10.0	A9	900	C	碳钢 (WCB WCC 等)				
160	16.0	A15	1500	P	不锈钢 (CF8 CF3 等)				
320	32.0	A25	2500	R	不锈钢 (CF8M CF3M 等)				

示例 Example:

BR.W5111M-40B200FMC10

BR.W511 型常规套筒自力式压力调节阀，管道取压，公称压力 PN40，公称通径 DN200，控制阀后压力，法兰连接，薄膜式执行机构，阀体材质碳钢，内件材质不锈钢，禁油禁水处理。

BR.W511 series conventional sleeve self-operated pressure control valve, pipe pressure, nominal pressure PN40, nominal diameter DN200, control valve back pressure, flange connection, film actuator, body material carbon steel, inner material stainless steel, oil and water treatment.

BR.W514P-16B

BR.W514 型指挥器操作型自力式压力调节阀，单座结构，公称压力 PN16，控制阀后压力。

BR.W514 series self-operated pressure regulating valve, single seat structure, nominal pressure PN16, control valve after pressure.

浙江蓝圣智能装备有限公司

ZHEJIANG LASEN INTELLIGENT EQUIPMENT CO.,LTD

地 址：浙江省杭州市富阳区场口工业区马山路15号

邮 编：311411

传 真：0571-23291611

电 话：0571-23252111

网 址：www.lasen.com.cn

E-mail：hzlasen@lasen.com.cn